

1

2

3

Waist Line

0.5"
1.5"

4

ON FOLD

5 Skirt
Size - 6 Extra Small

6

15"

19"

Hem Level

7

Layered Skirt - 1

8

9

1.5"
0.5"

Hem Level

2"

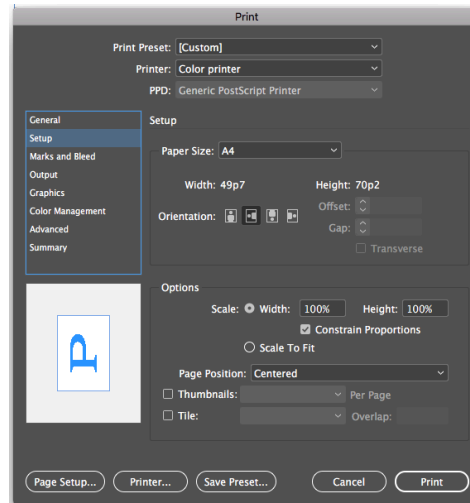
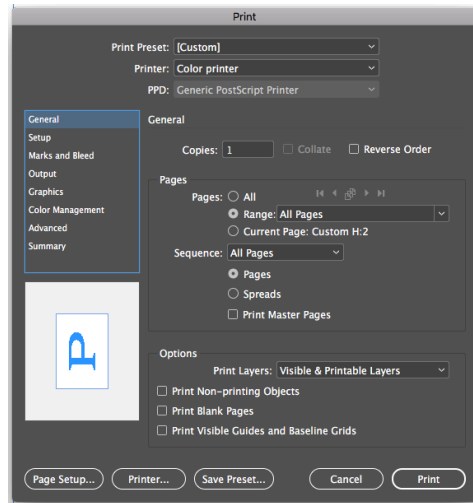
Layered Skirt - 2

1.5"
0.5"

Draft Instructions

Please follow the following steps in order to get the correct draft

- Download the PDF and Print it out on A4 size Paper.
- Ensure that your Printer is set to General and Page Position is Centered.



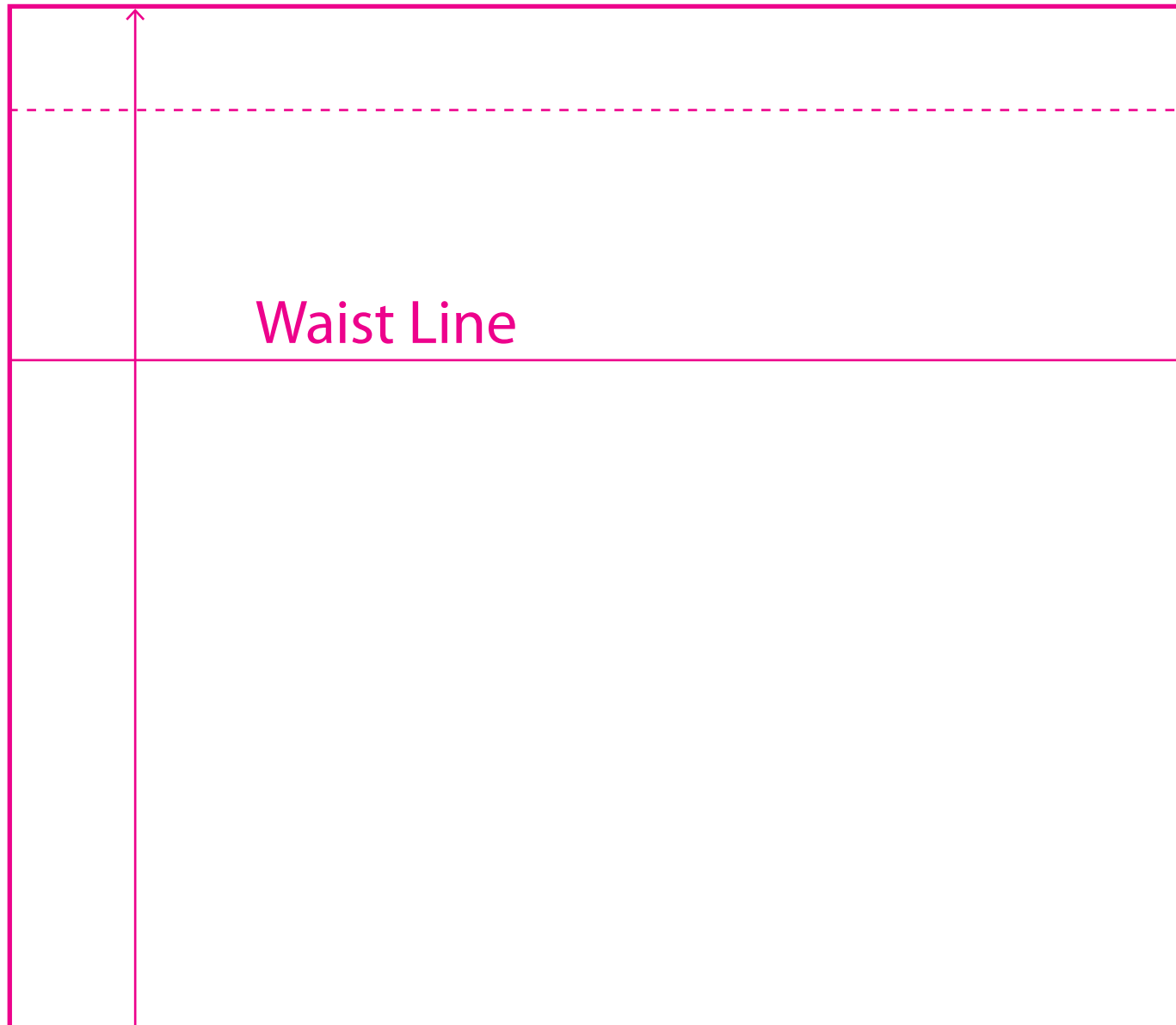
- Cut along the outer margins printed on the sheets
- Join the sheets together following the number pattern on them, as shown in the reference image below
- Your Draft is Ready

Size Chart

Womens Size / Measurements	XS	S	M	L	XL
Skirt length	15"	16.5"	17"	18"	18.5"
Waist round	24.5"	26"	29"	31.5"	33.5"
Hip round	33.5"	34.5"	36.5"	39.5"	41.5"

1

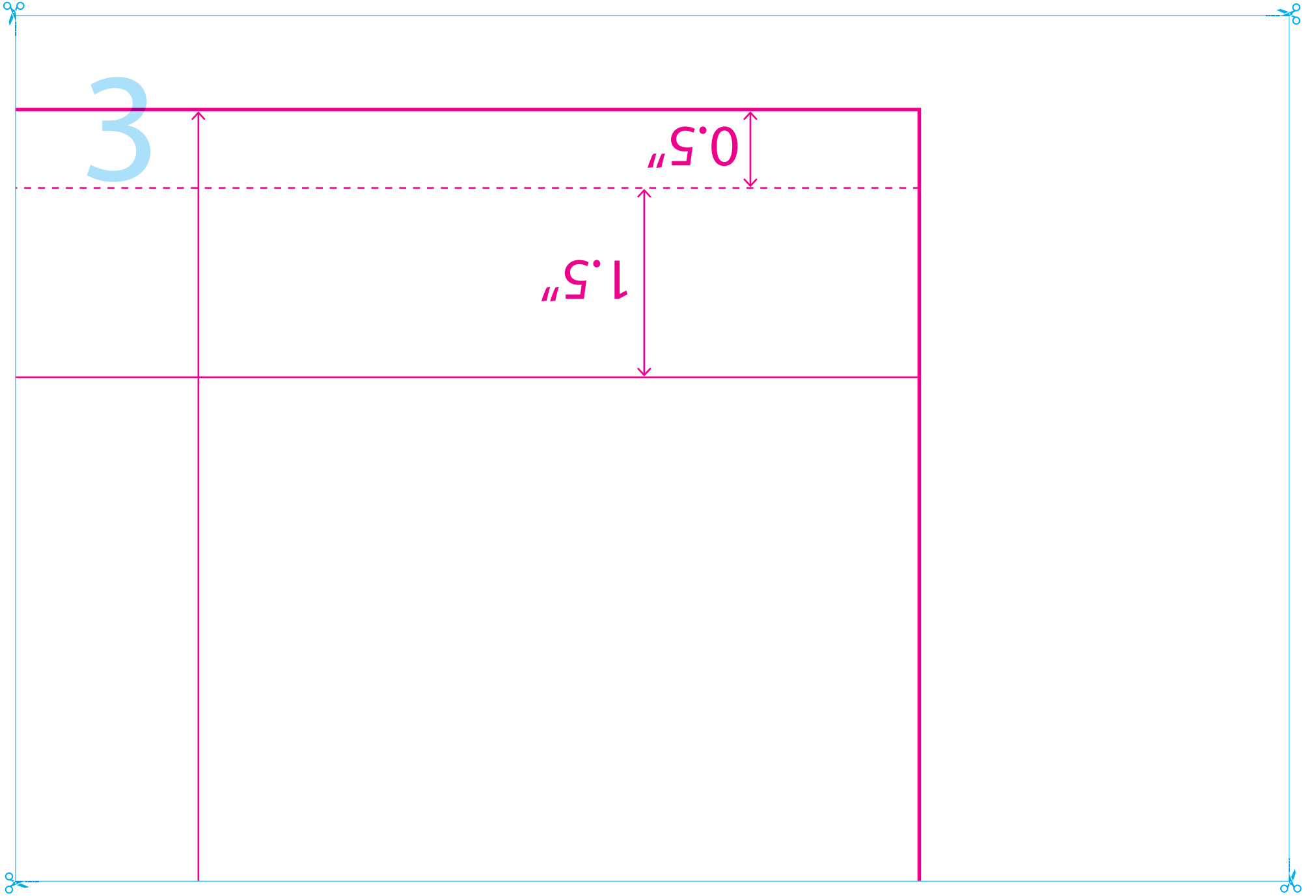
Waist Line

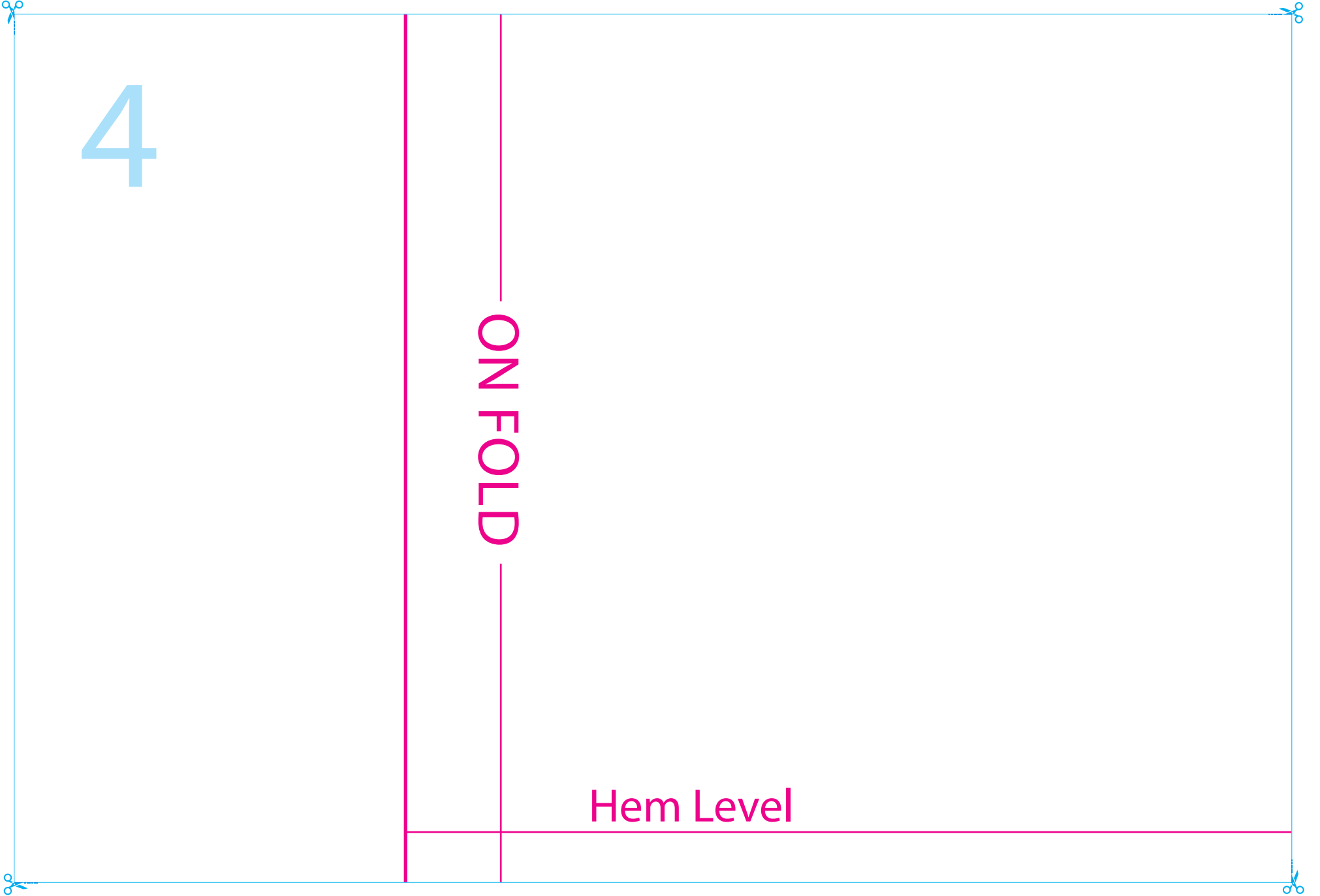




2







4

ON FOLD

Hem Level

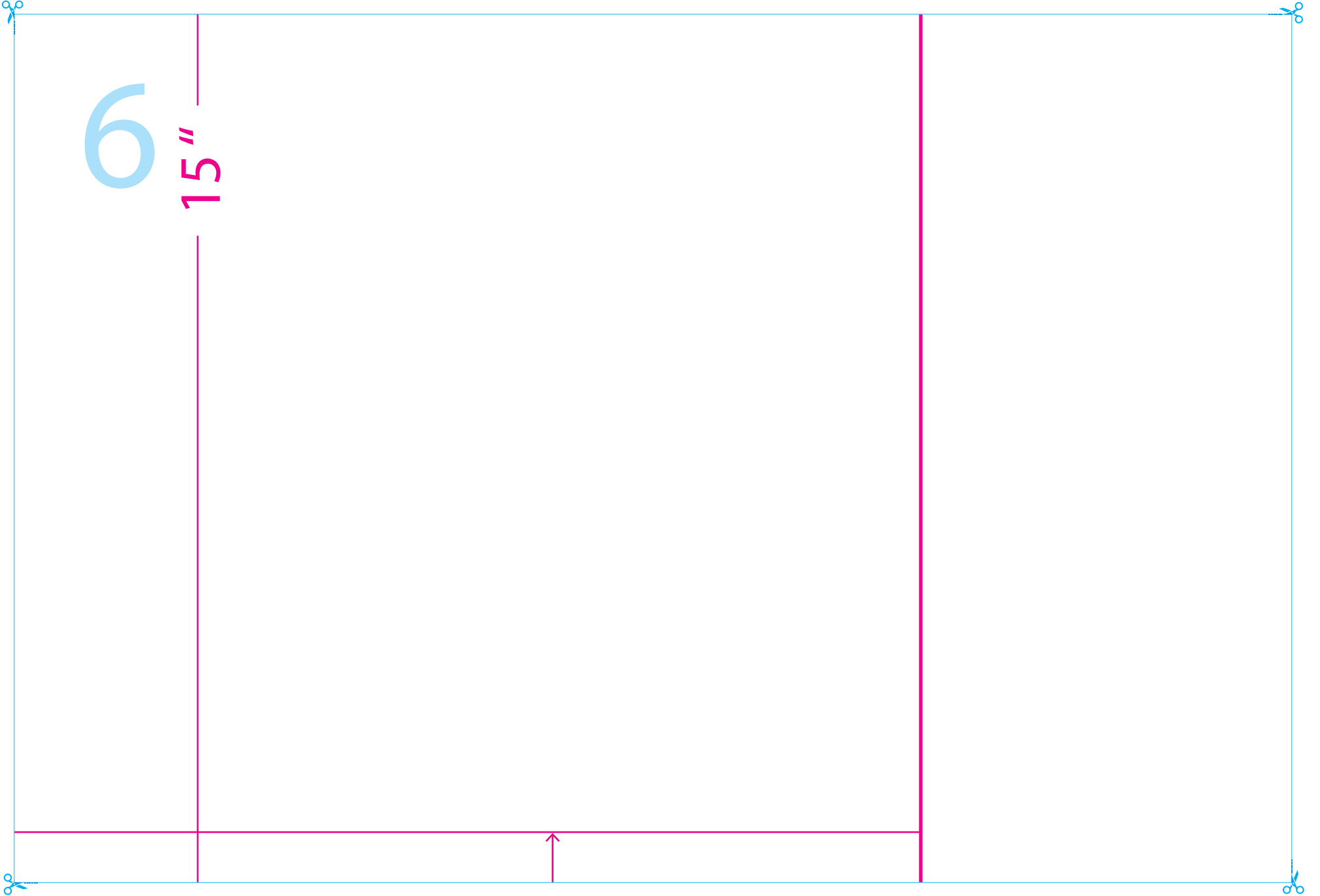
5

Skirt

Size - 6 Extra Small

19"





7

Layered Skirt - 1

Hem Level

Layered Skirt - 2





8



