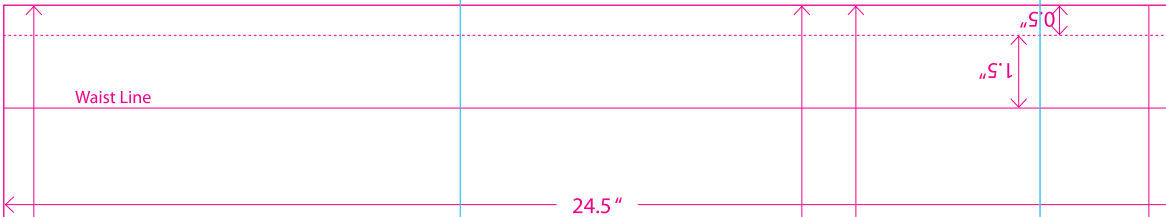


1

2

3



4

5

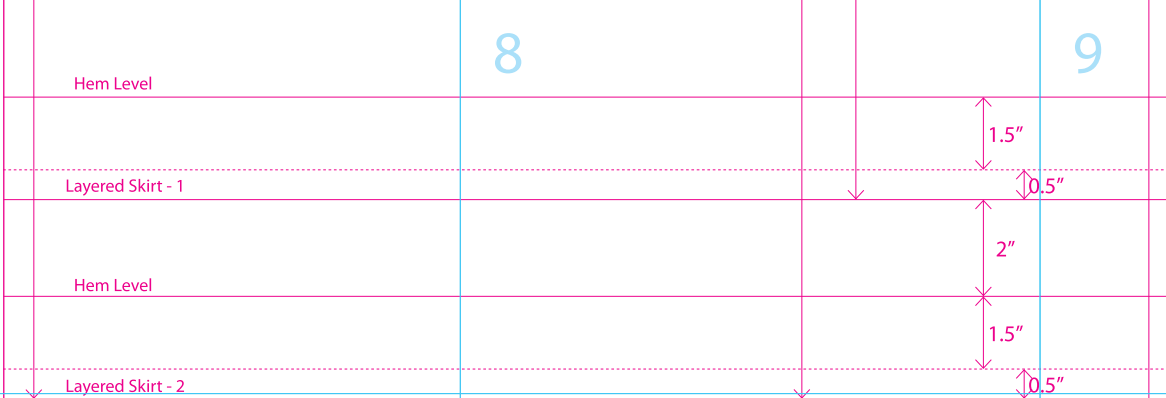
6



7

8

9



10

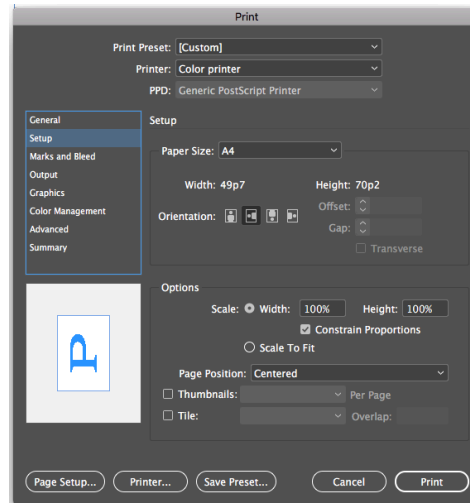
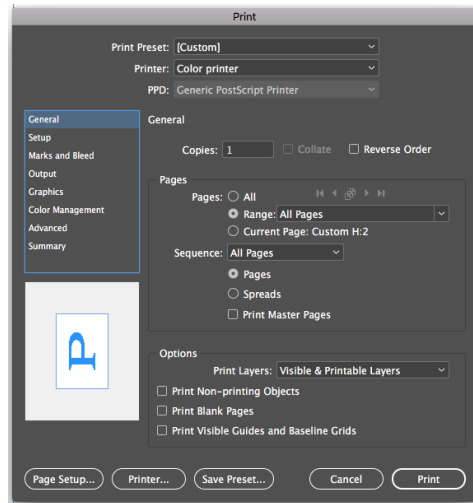
11

12

Draft Instructions

Please follow the following steps in order to get the correct draft

- Download the PDF and Print it out on A4 size Paper.
- Ensure that your Printer is set to General and Page Position is Centered.

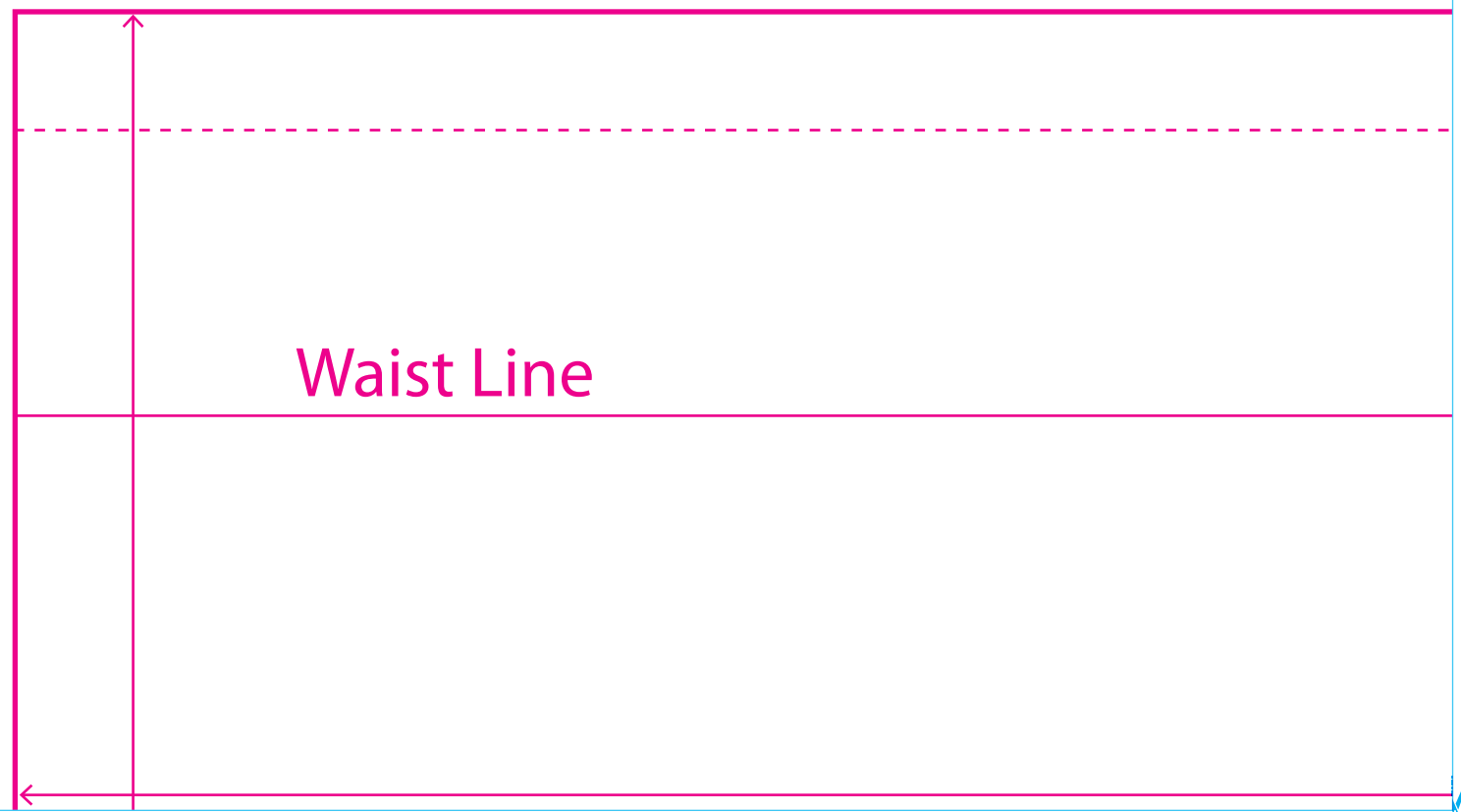


- Cut along the outer margins printed on the sheets
- Join the sheets together following the number pattern on them, as shown in the reference image below
- Your Draft is Ready

Size Chart

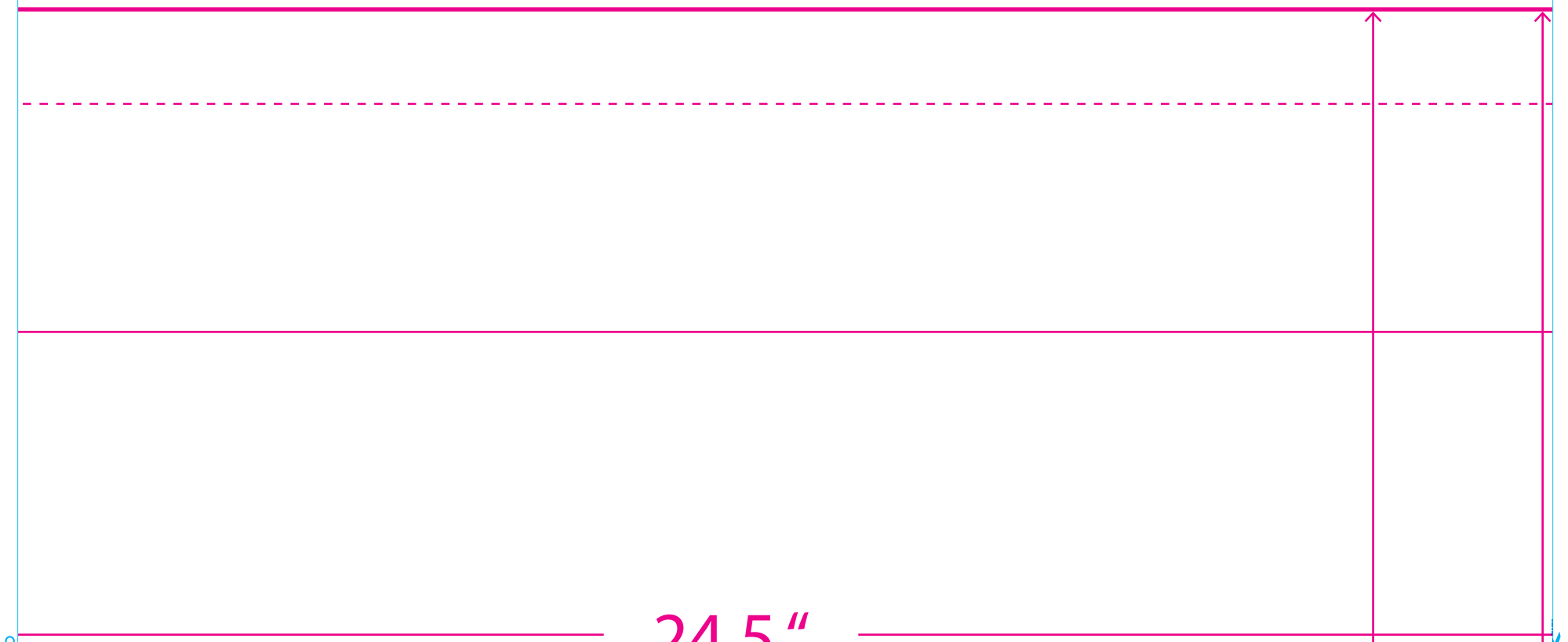
Womens Size / Measurements	XS	S	M	L	XL
Skirt length	15"	16.5"	17"	18"	18.5"
Waist round	24.5"	26"	29"	31.5"	33.5"
Hip round	33.5"	34.5"	36.5"	39.5"	41.5"

1





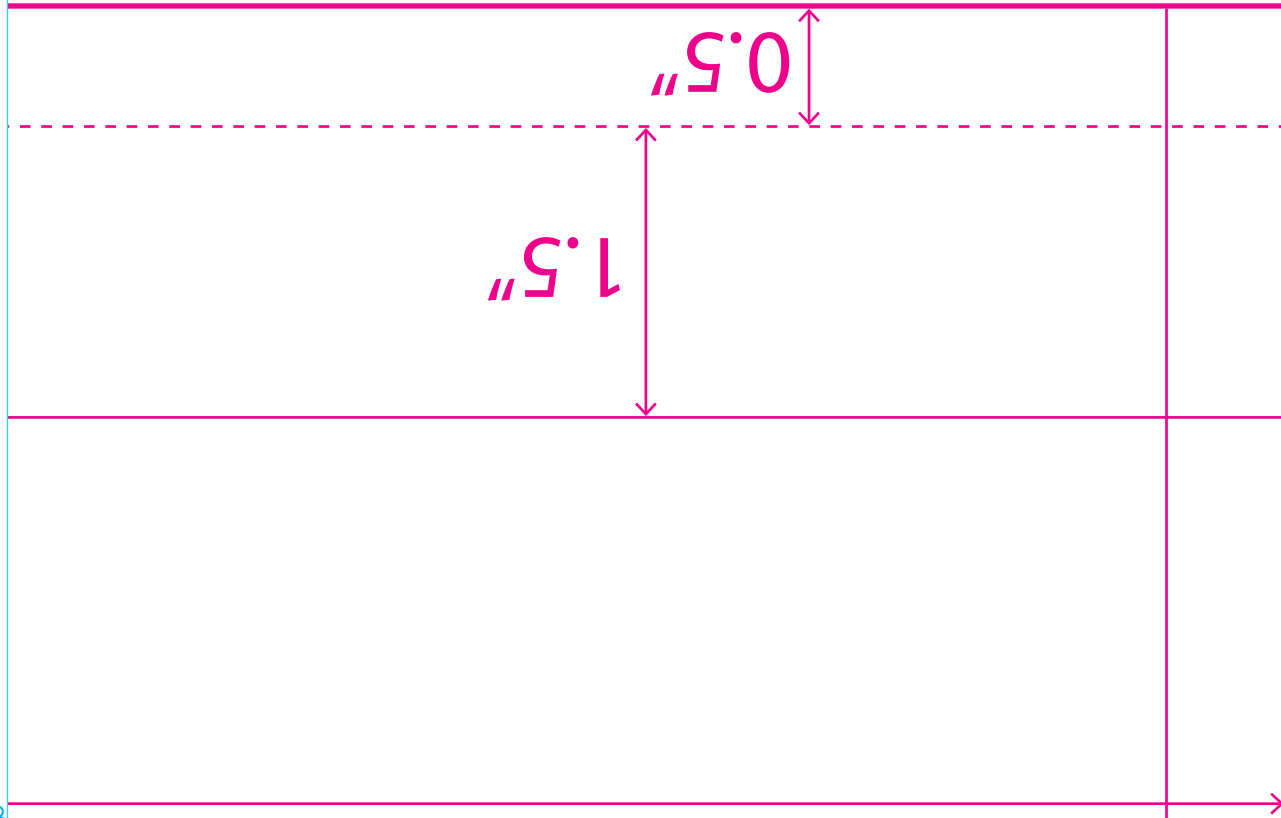
2



24.5"



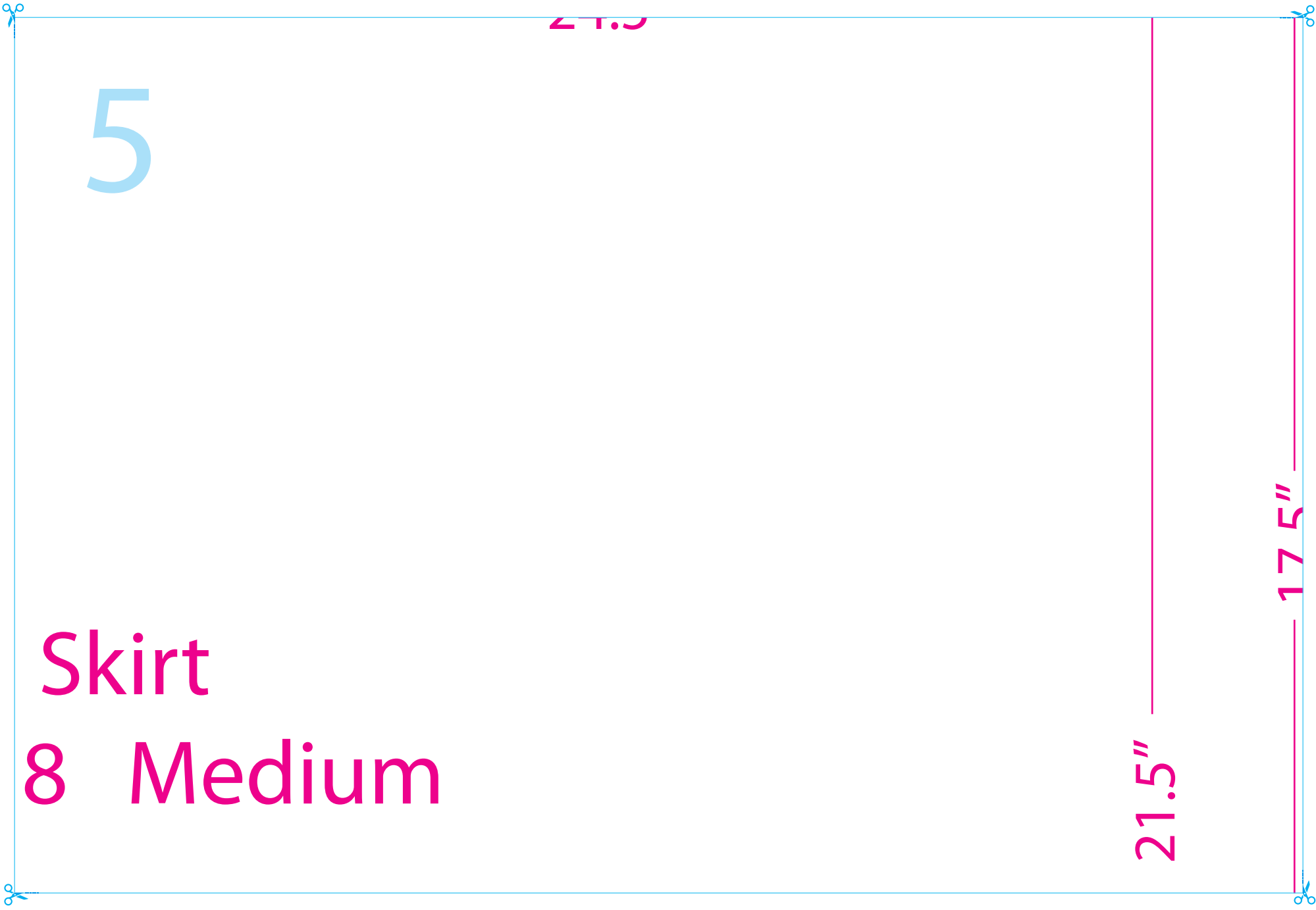
3



4

ON FOLI

Size -



5

21.5

17.5"

21.5"

Skirt

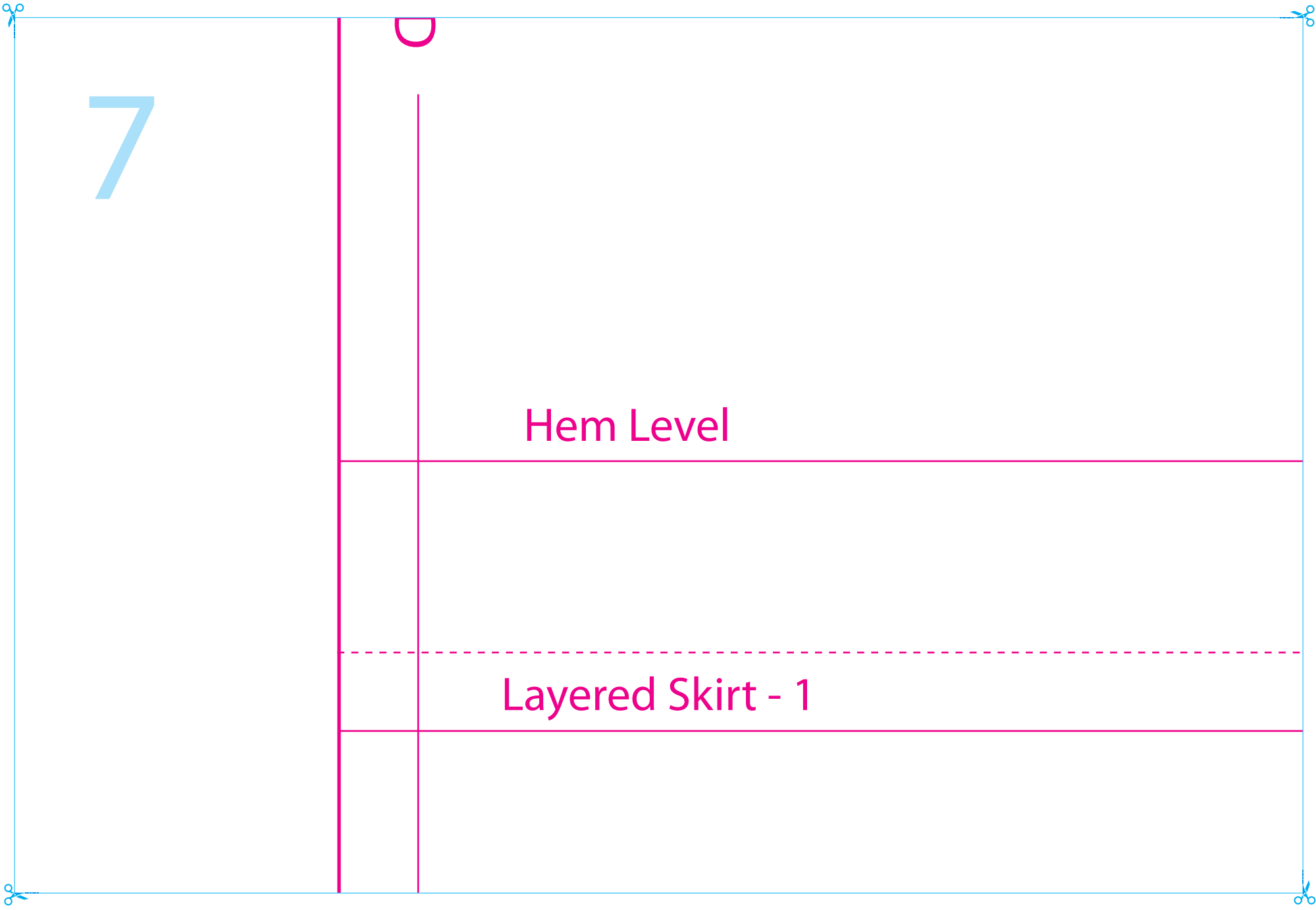
8 Medium



6

cut





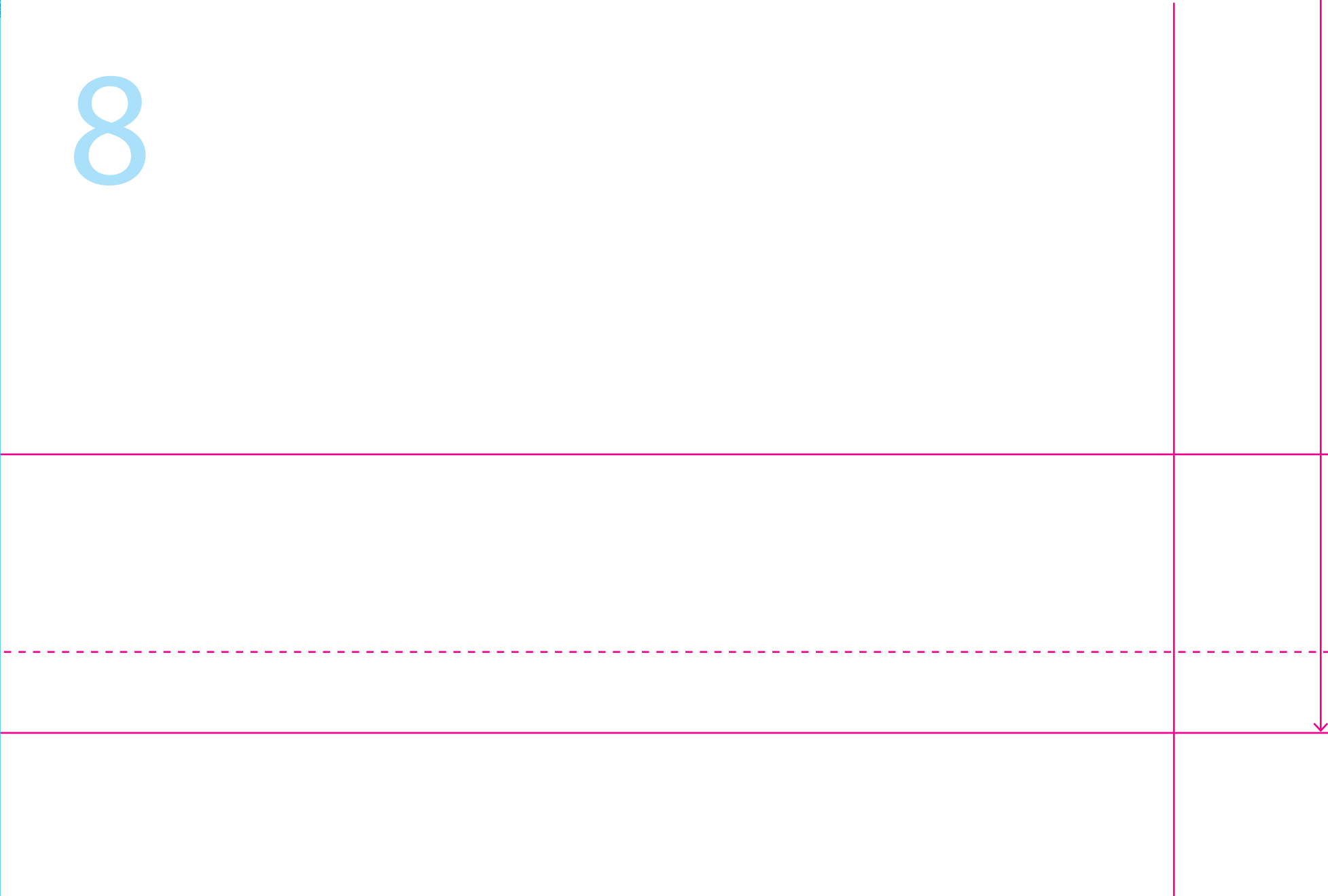
7

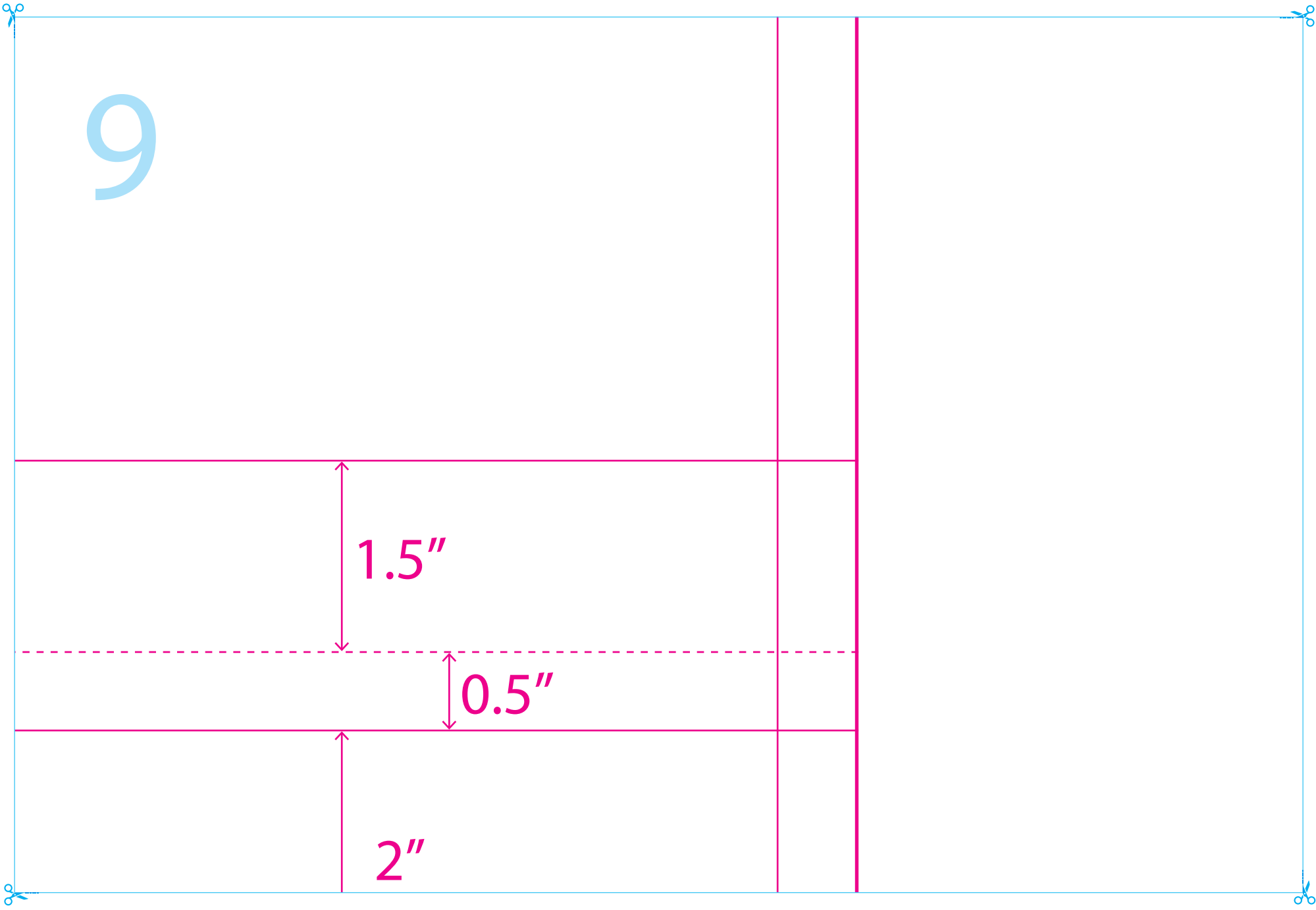
Hem Level

Layered Skirt - 1



8





9

1.5"

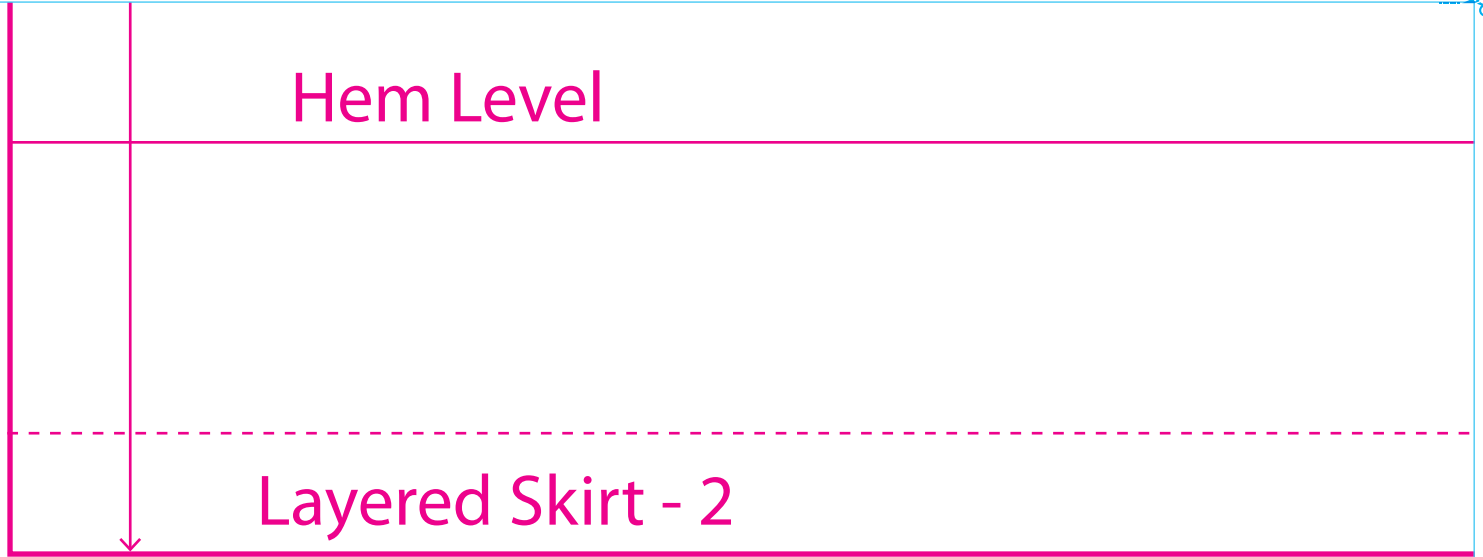
0.5"

2"

10

Hem Level

Layered Skirt - 2





1 1



