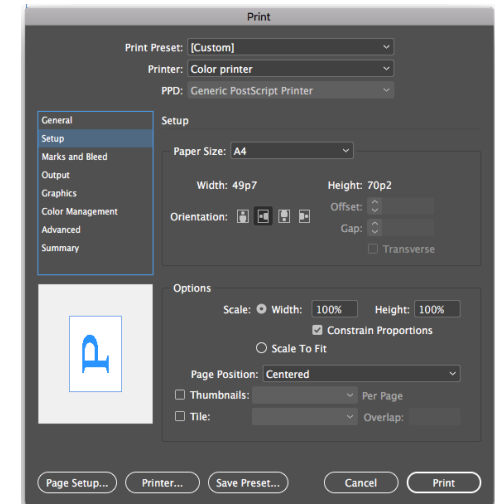
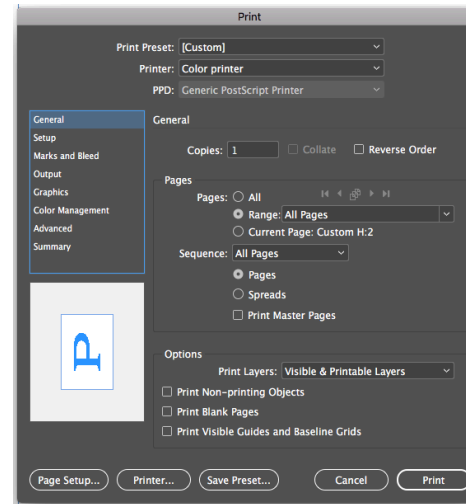


## Draft Instructions

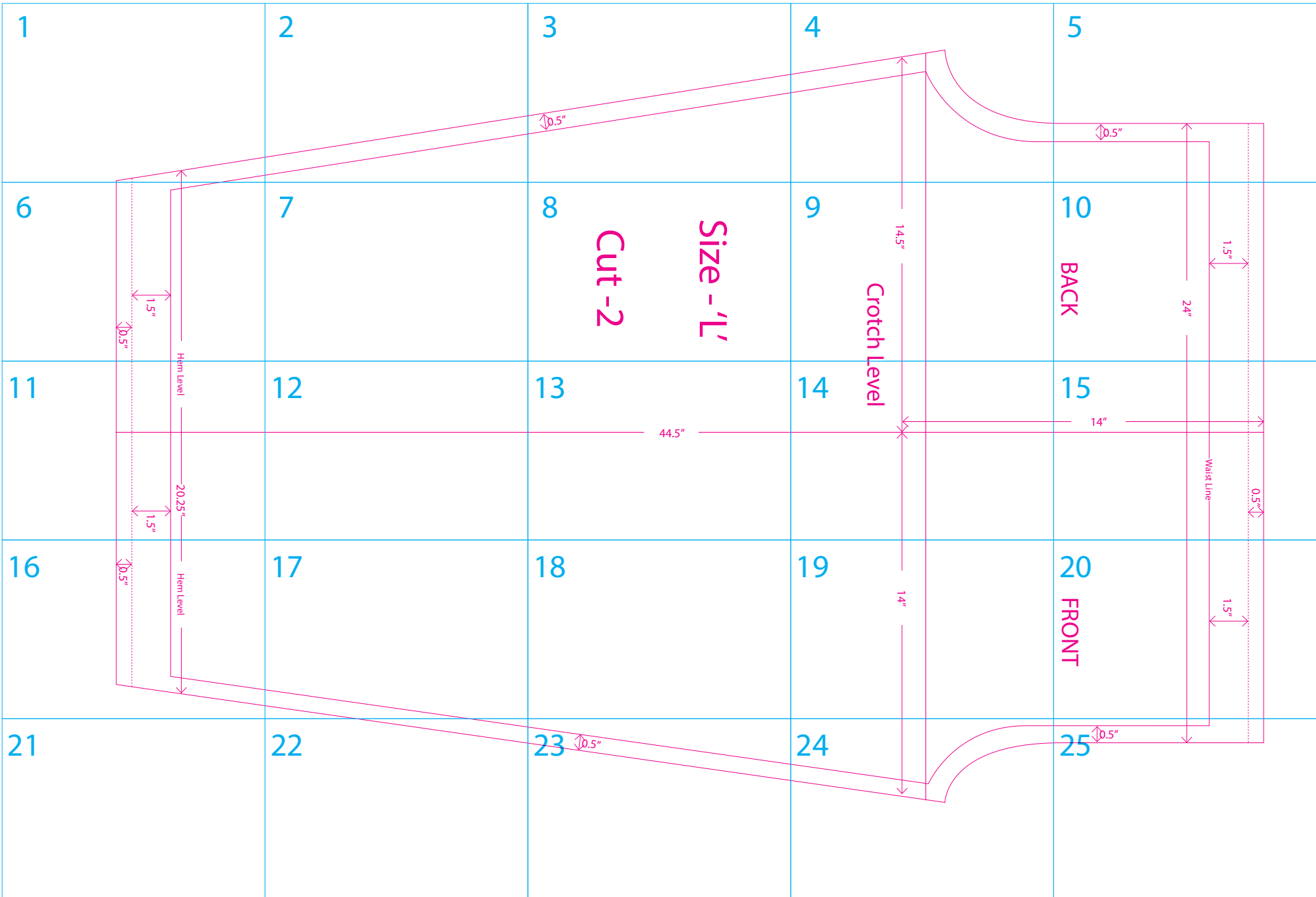
Please follow the following steps in order to get the correct draft

- Download the PDF and Print it out on A4 size Paper.
- Ensure that your Printer is set to General and Page Position is Centered.
- Cut along the outer margins printed on the sheets
- Join the sheets together following the number pattern on them, as shown in the reference image below
- Your Draft is Ready

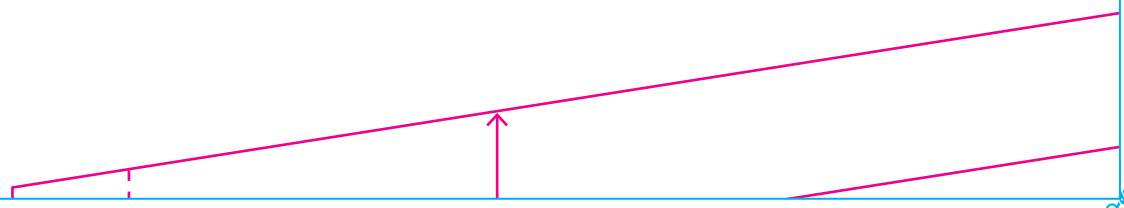


## Size Chart

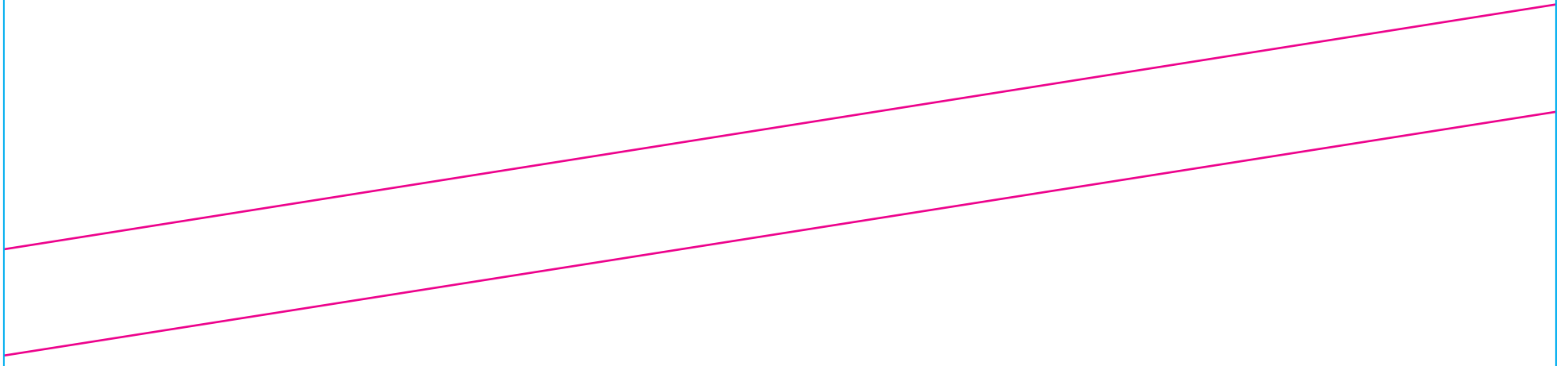
| Size / Measurements                                | XS     | S      | M      | L      | XI     |
|--|--------|--------|--------|--------|--------|
| Pants length with casing & hem allowance           | 42.5"  | 43.25" | 44.5"  | 44.5"  | 44.75" |
| Ready Waist round                                  | 27"    | 29"    | 30"    | 32"    | 34"    |
| Ready Hip round                                    | 33.5"  | 34.5"  | 36.5"  | 39.5"  | 14.5"  |
| Template Waist round                               | 20.75" | 21.25" | 22.75" | 24"    | 24.75" |
| Side seam allowance included in the pattern        | 0.5"   | 0.5"   | 0.5"   | 0.5"   | 0.5"   |
| Crotch depth ( on the centre line )                | 12.5"  | 12.75" | 13.50" | 14"    | 14.5"  |
| Crotch Level across Front including side allowance | 12.25" | 12.5"  | 13.5"  | 14"    | 14.5"  |
| Crotch Level across Back including side allowance  | 12.75" | 13"    | 13.75" | 14.5"  | 15"    |
| Total Hem width including side allowance           | 17"    | 18"    | 18.75" | 20.25" | 21.25" |
| Hem - first fold                                   | 0.5"   | 0.5"   | 0.5"   | 0.5"   | 0.5"   |
| Hem - second fold                                  | 1.5"   | 1"     | 1"     | 1"     | 1"     |
| Casing - first fold                                | 0.5"   | 0.5"   | 0.5"   | 0.5"   | 0.5"   |
| Casing - second fold                               | 1.5"   | 1.5"   | 1.5"   | 1.5"   | 1.5"   |



1



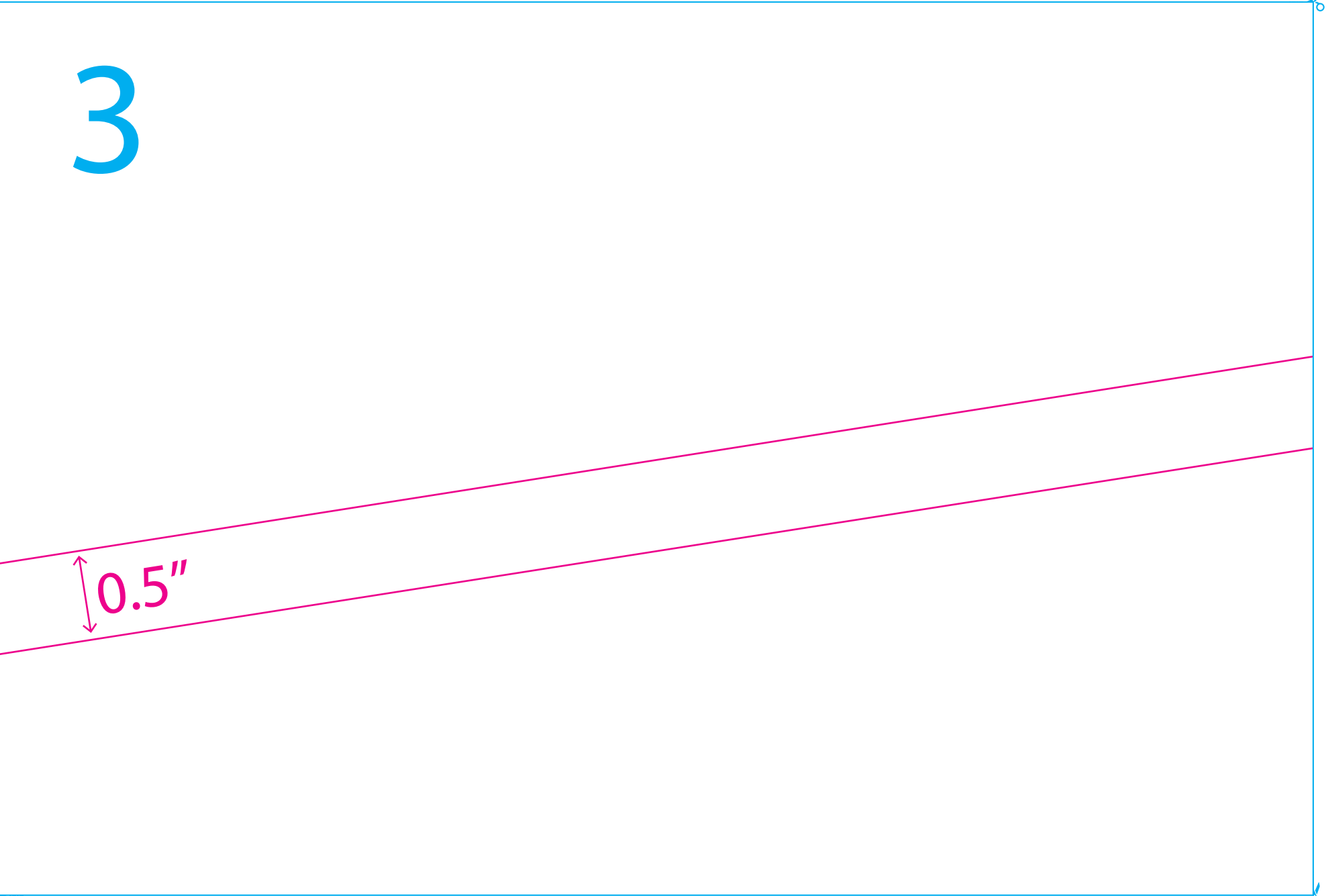
2





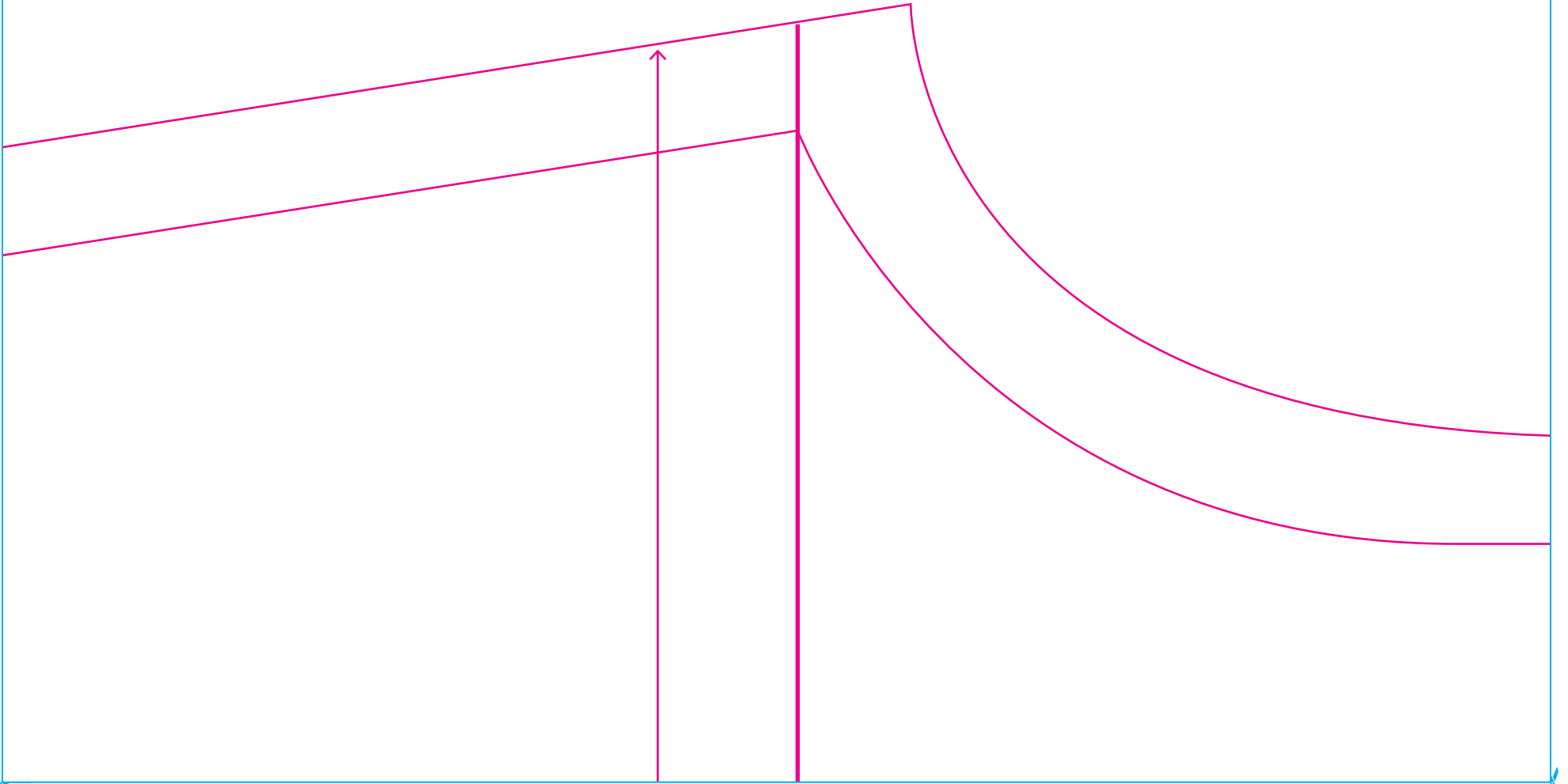
3

0.5"



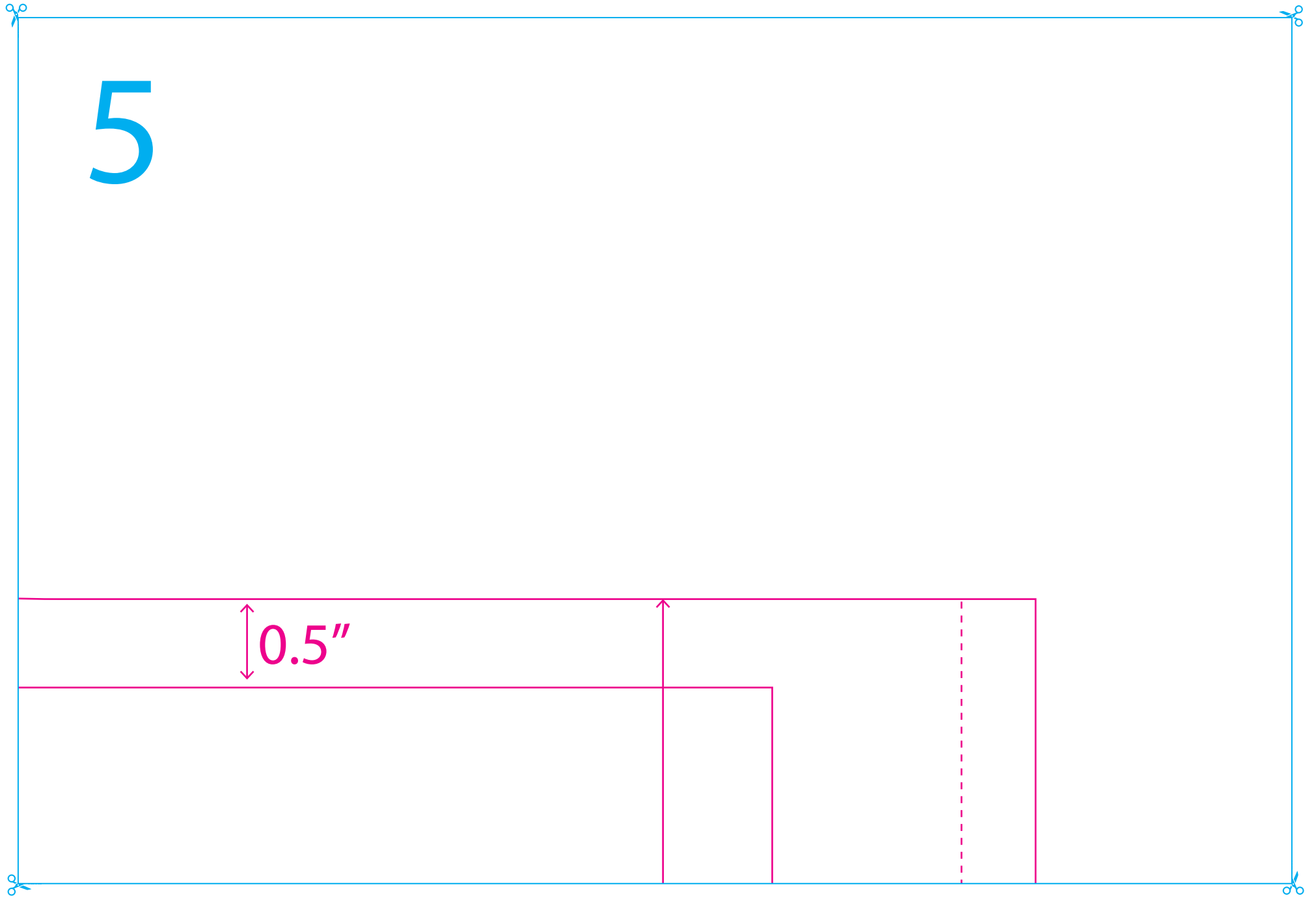


4

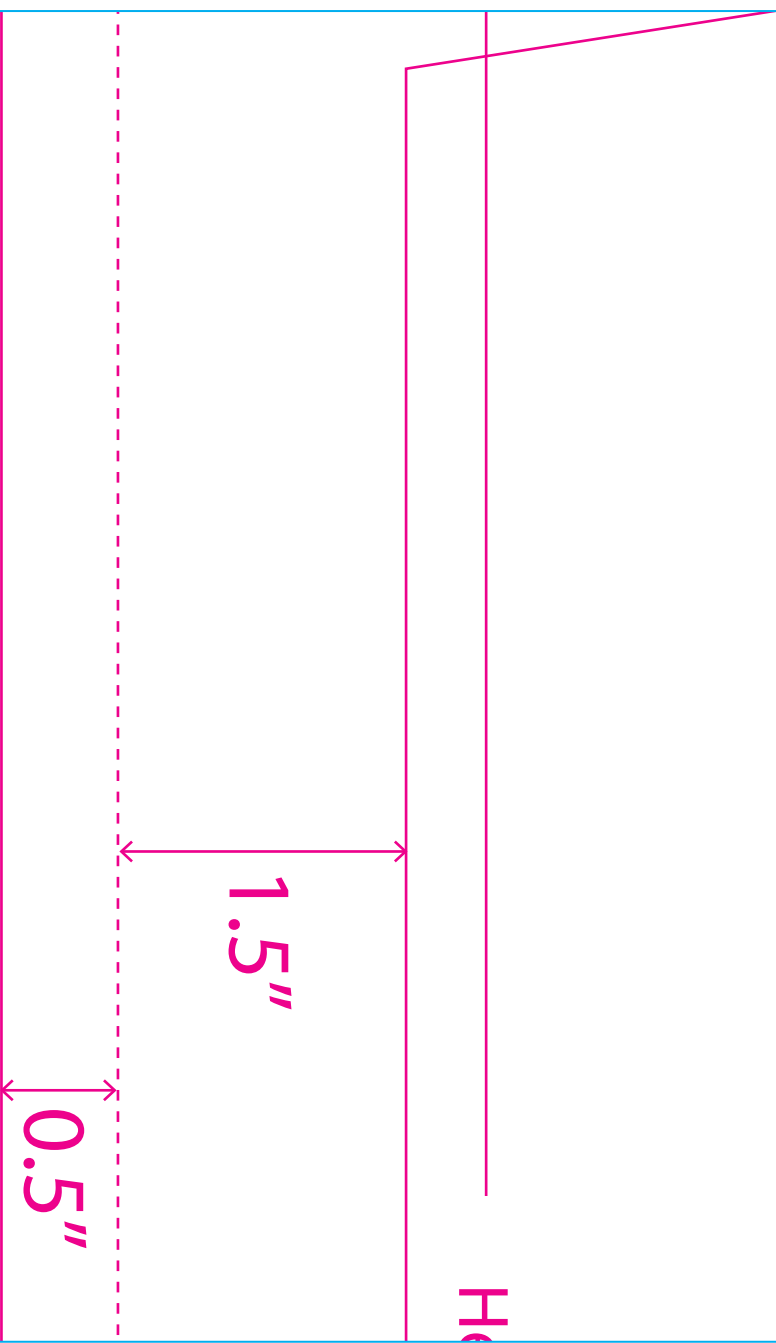


5

0.5"



6



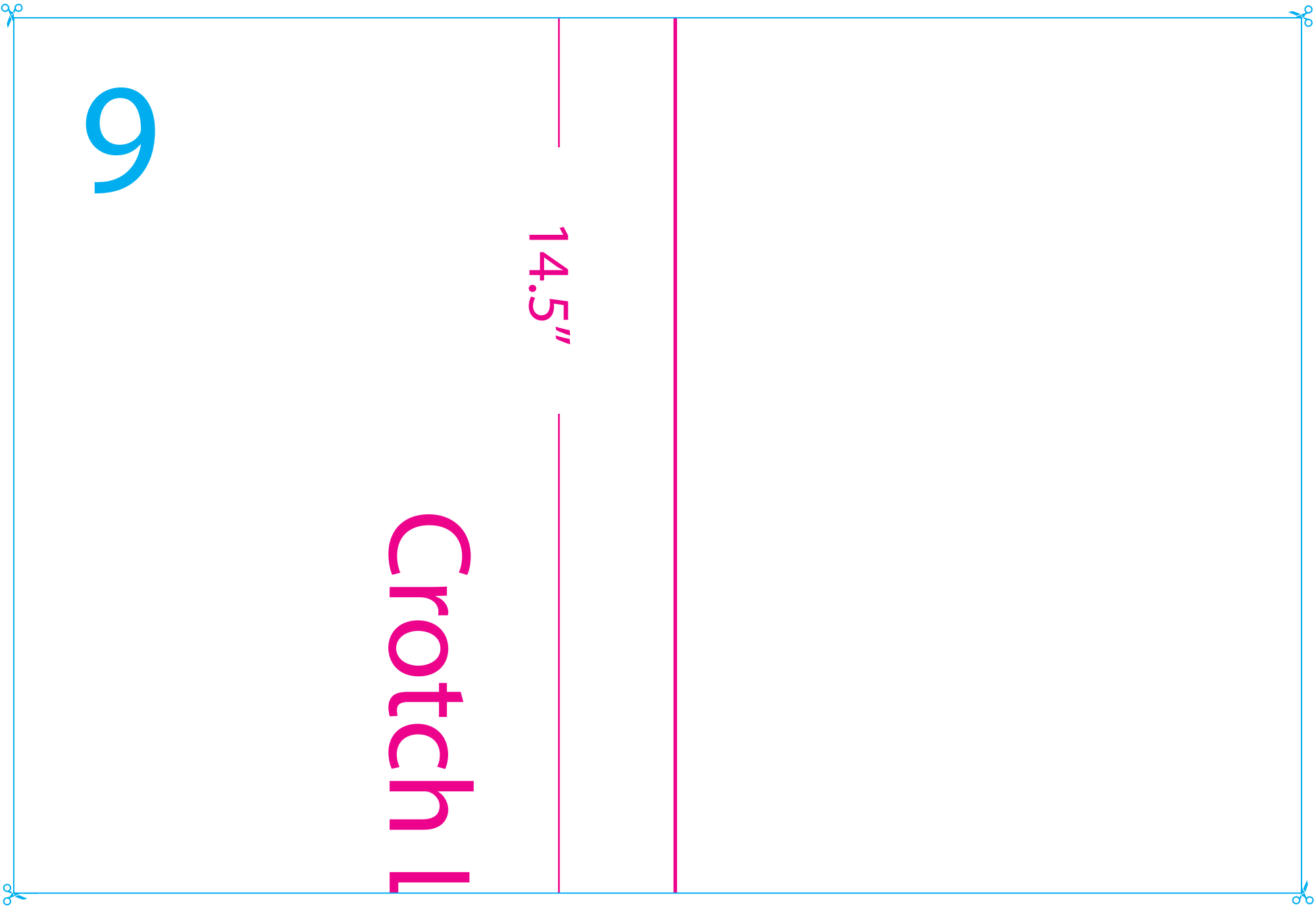


7

size - 'L'

Cut - 2

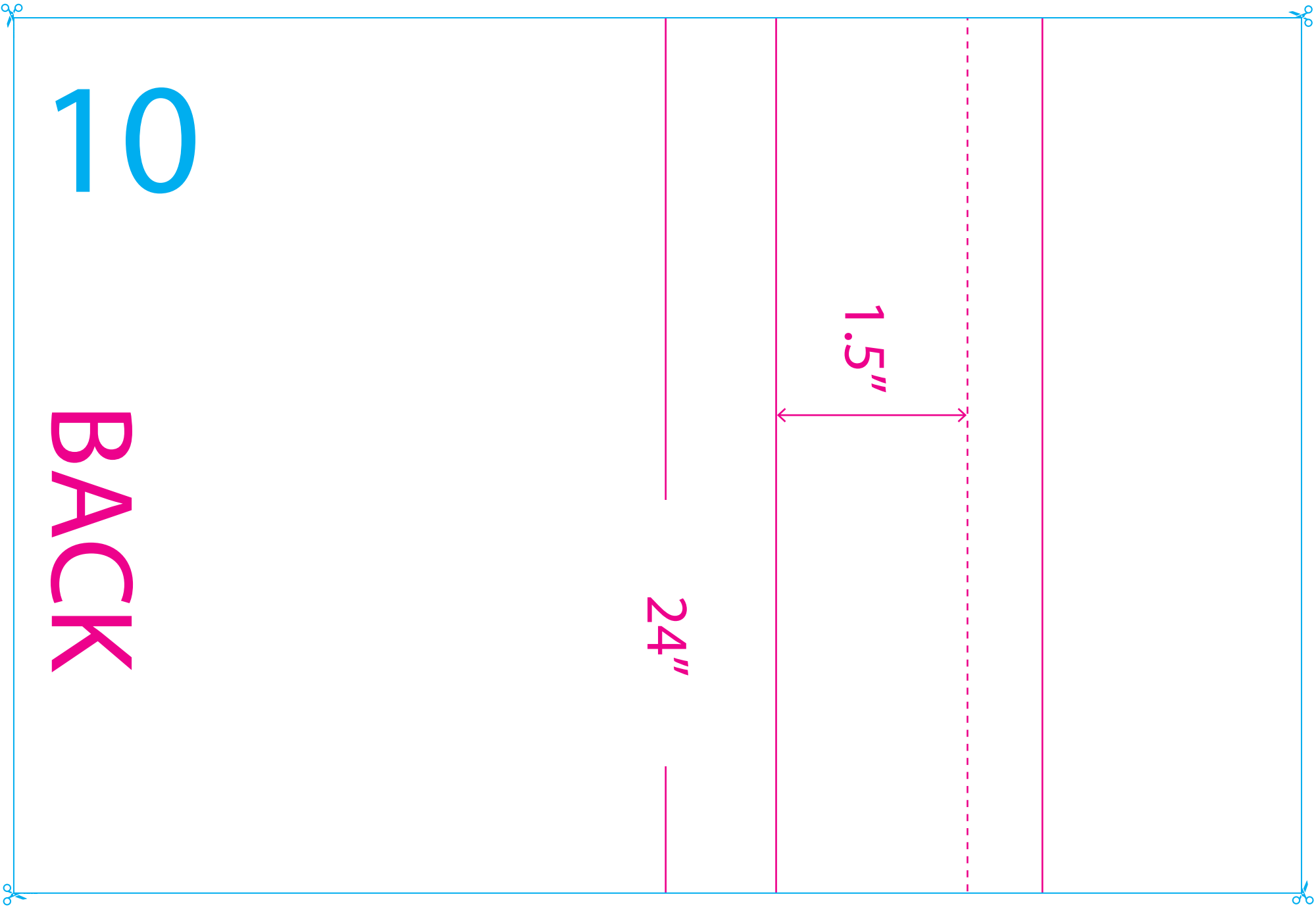
8



14.5"

Crotch L

6



10

BACK

24"

1.5"

11

am Level

20.25"

1.5"



12

13

44.5"

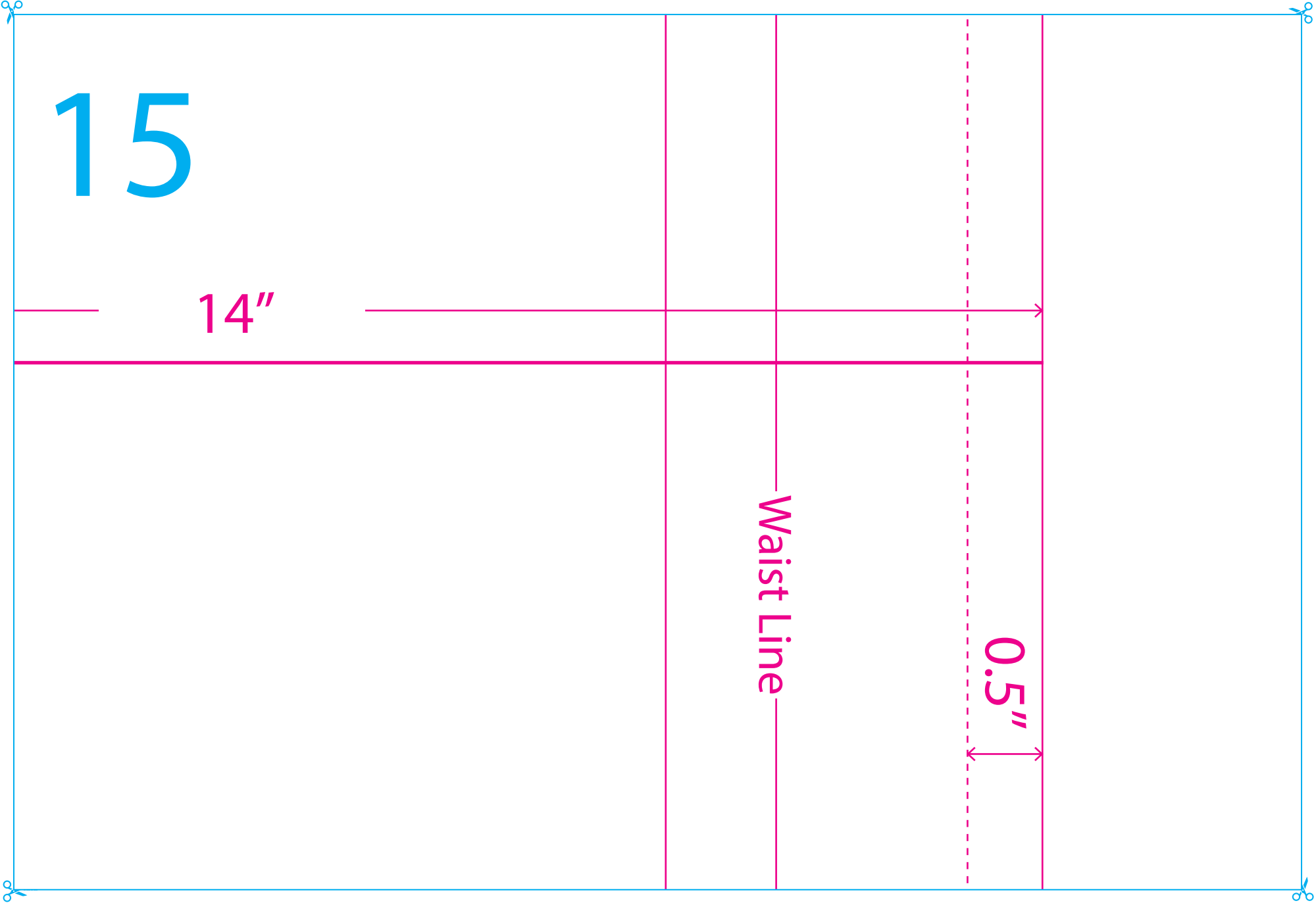


14

-level







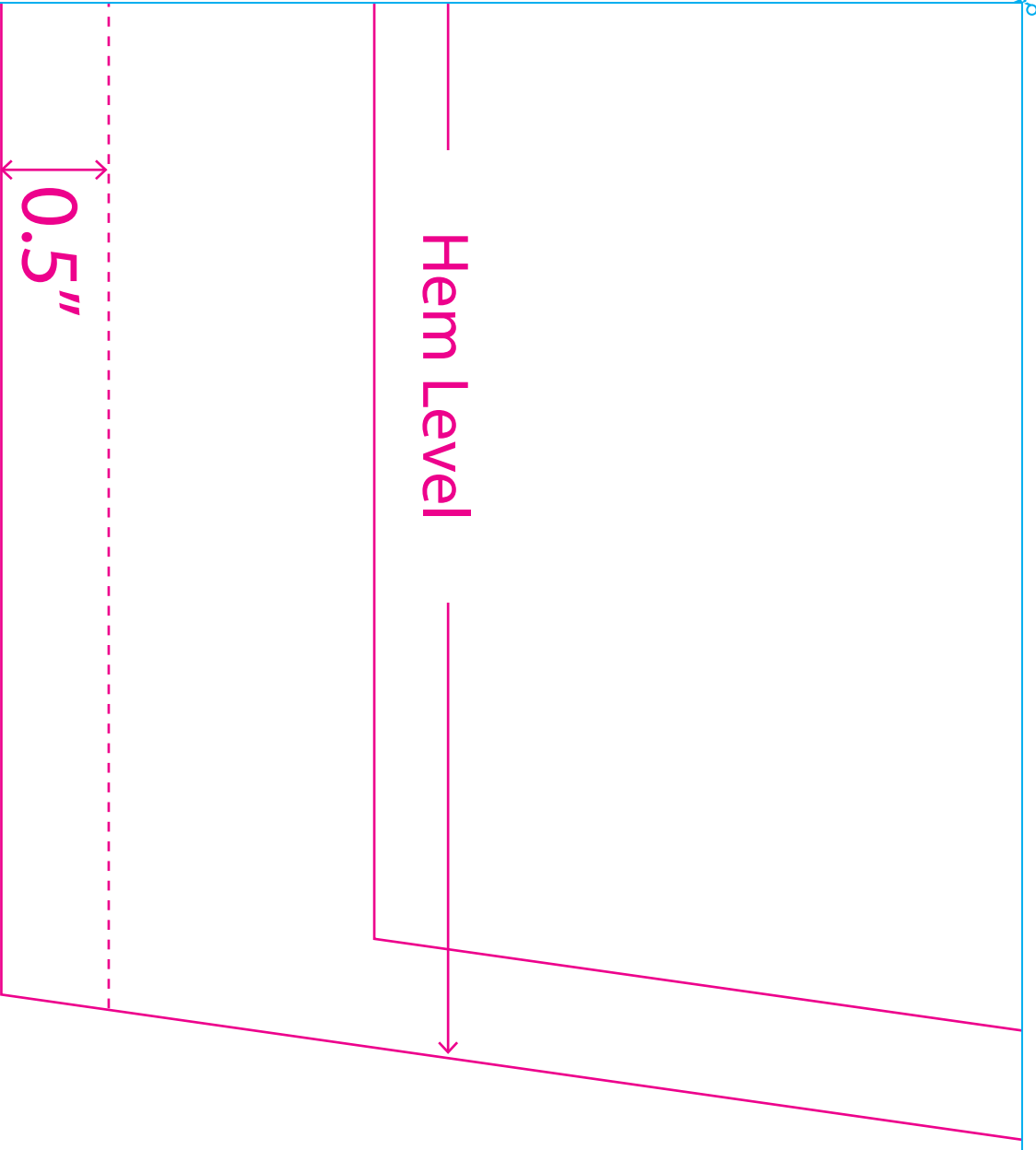
15

14"

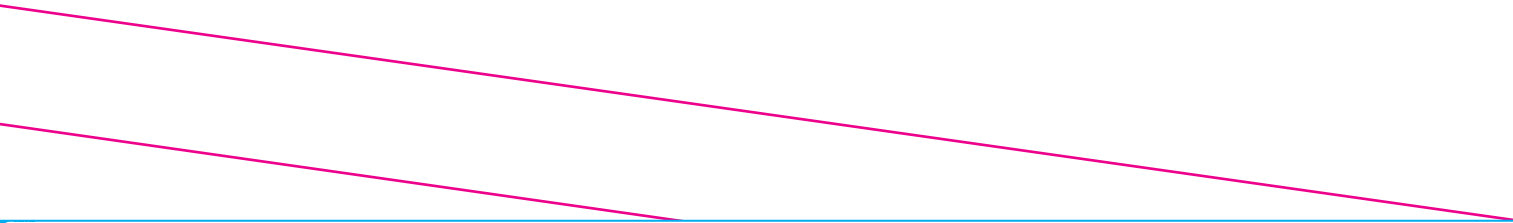
Waist Line

0.5"

16



17





18



19

14"



20

FRONT

1.5"



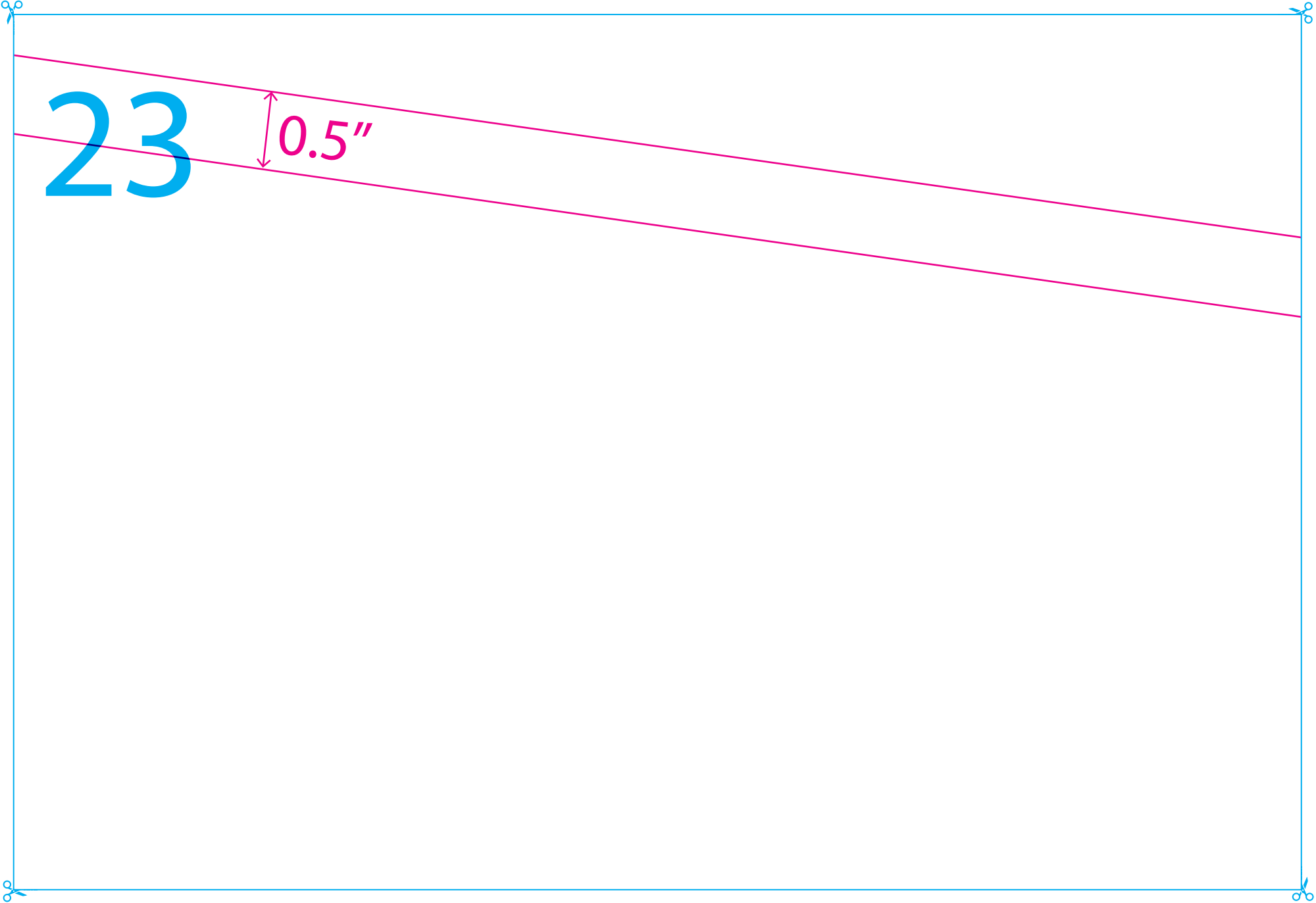


21

22







23

0.5"

24

